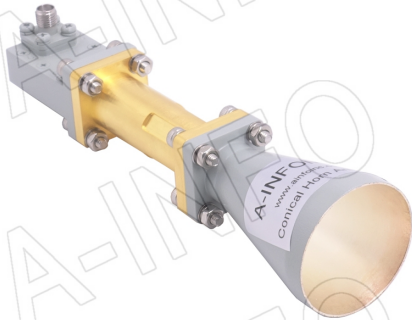


For reference only. See data sheet for the detailed specifications.

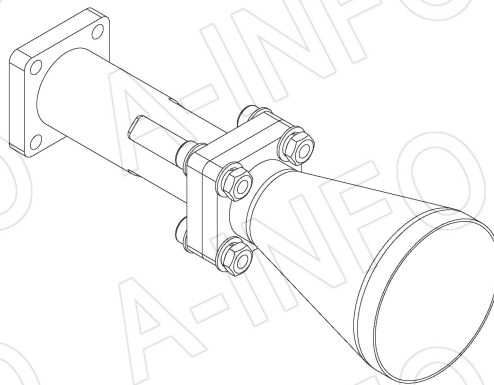
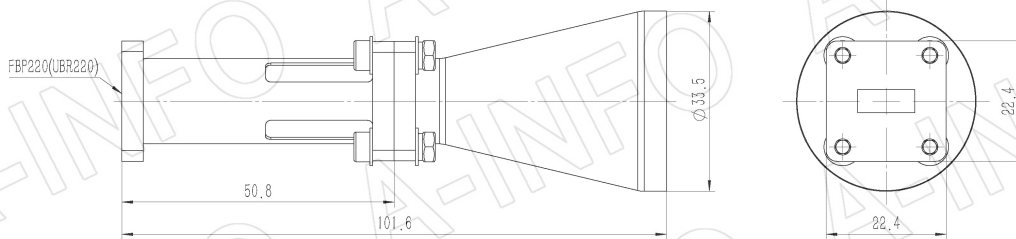
Technical Specification



Frequency Range(GHz)	18.0 – 26.5
Waveguide	WR42
Gain(dBi)	15 Typ.
Polarization	Linear
3dB Beamwidth(deg)	E Plane: 23 Typ.
	H Plane: 30 Typ.
Cross Pol. Isolation(dB)	40 Typ.
VSWR	A Type: 1.15:1 Max.
	C Type: 1.40:1 Max.
Output	A Type: FBP220(UBR220)
	C Type: SMA-Female or 2.92mm-Female or 3.5mm-Female
Material	Al
Finish	Gold Plated and Silver Plated, Gray Paint
Size(mm)	A Type: 33.5 x 33.5 x 101.6
	C Type: 33.5 x 33.5 x 136.6
Net Weight(Kg)	A Type: 0.10 Around
	C Type: 0.17 Around

Outline Drawing (Size: mm)

FBP220 Output (P/N: LB-CNH-42-15-A)



AINFO Inc.

China(Beijing): Tel: (+86) 10-6266-7326,
China(Chengdu): Tel: (+86) 28-8519-2786,
USA: Tel: (+1) 949-639-9688,

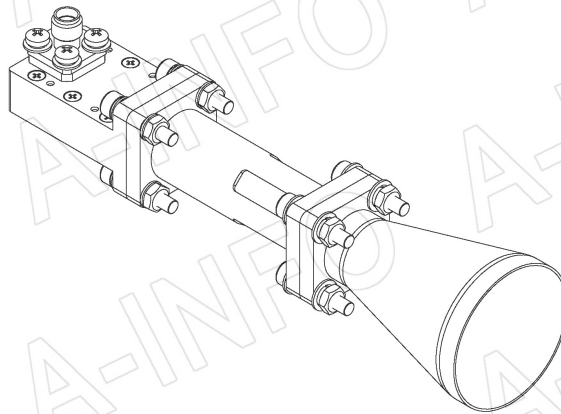
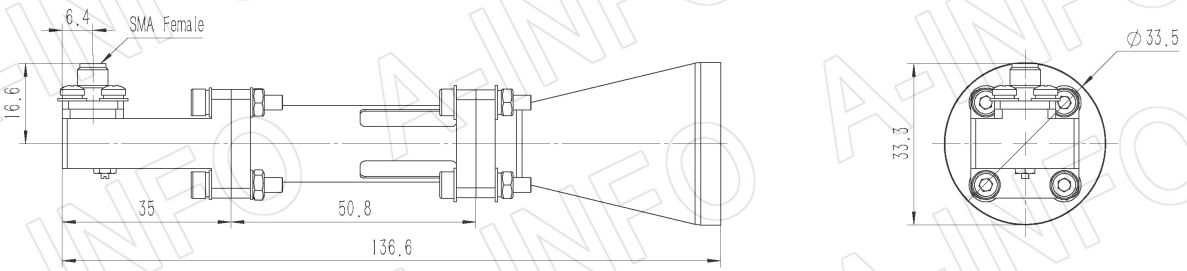
Page 1 of 10

(+86) 10-6266-7327 Fax: (+86) 10-6266-7379
(+86) 28-8519-3044 Fax: (+86) 28-8519-3068
(+1) 949-639-9608 Fax: (+1) 949-639-9670

Website: www.ainfoinc.com
Email: sales@ainfoinc.com

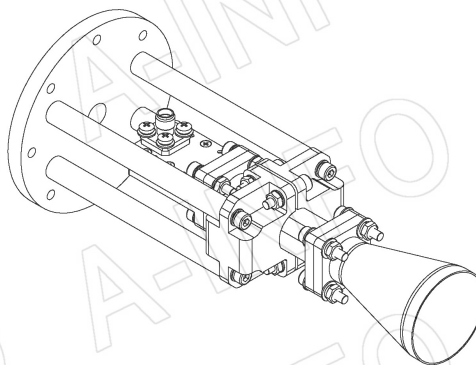
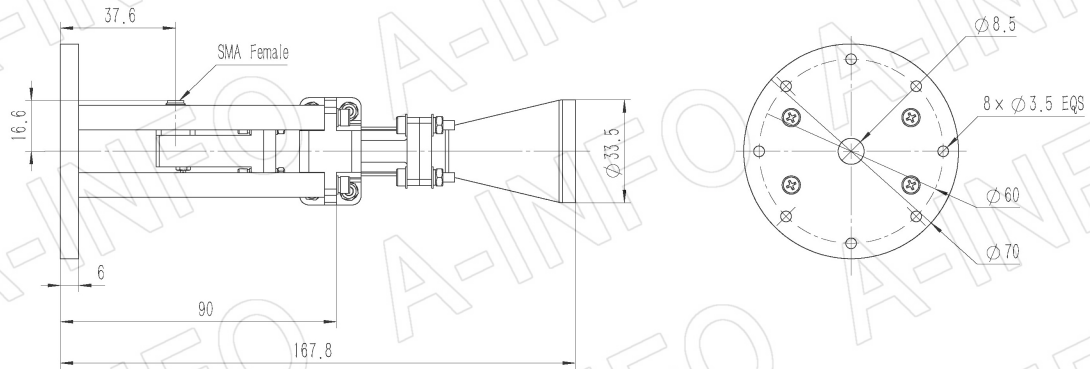
SMA-Female Output (P/N: LB-CN42-15-C-SF)

For 2.92mm-Female or 3.5mm-Female output outline drawing, please contact A-INFO.

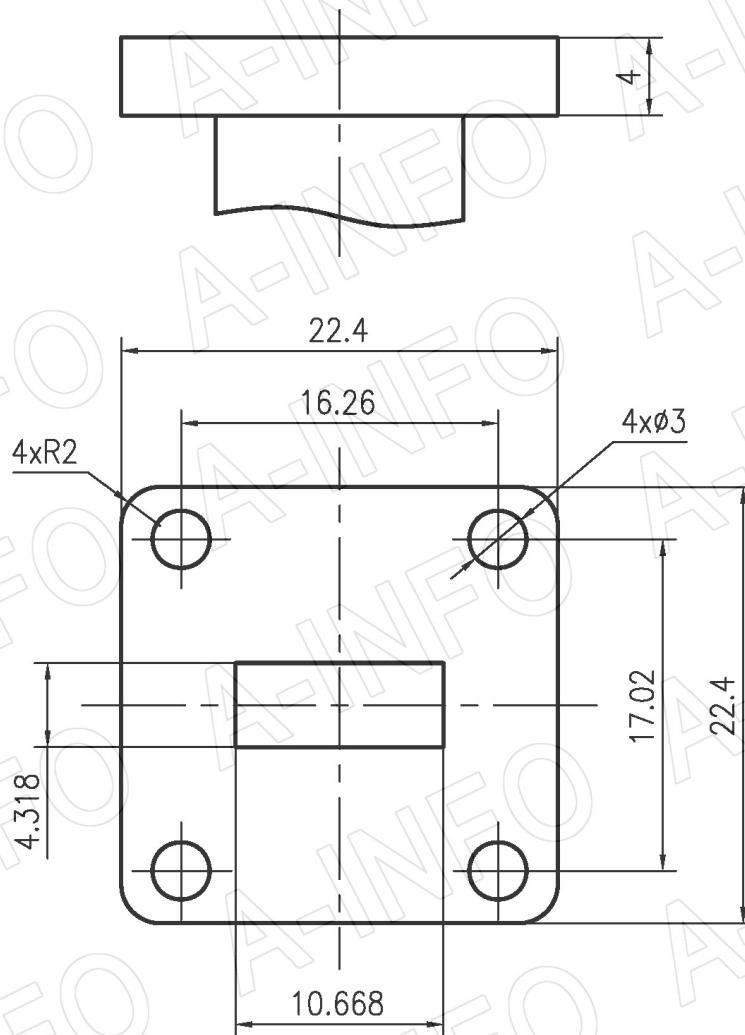


SMA-Female Output with Round Mounting Bracket (Option, P/N: LB-42-10-C-MB)

For 2.92mm-Female or 3.5mm-Female output outline drawing, please contact A-INFO.



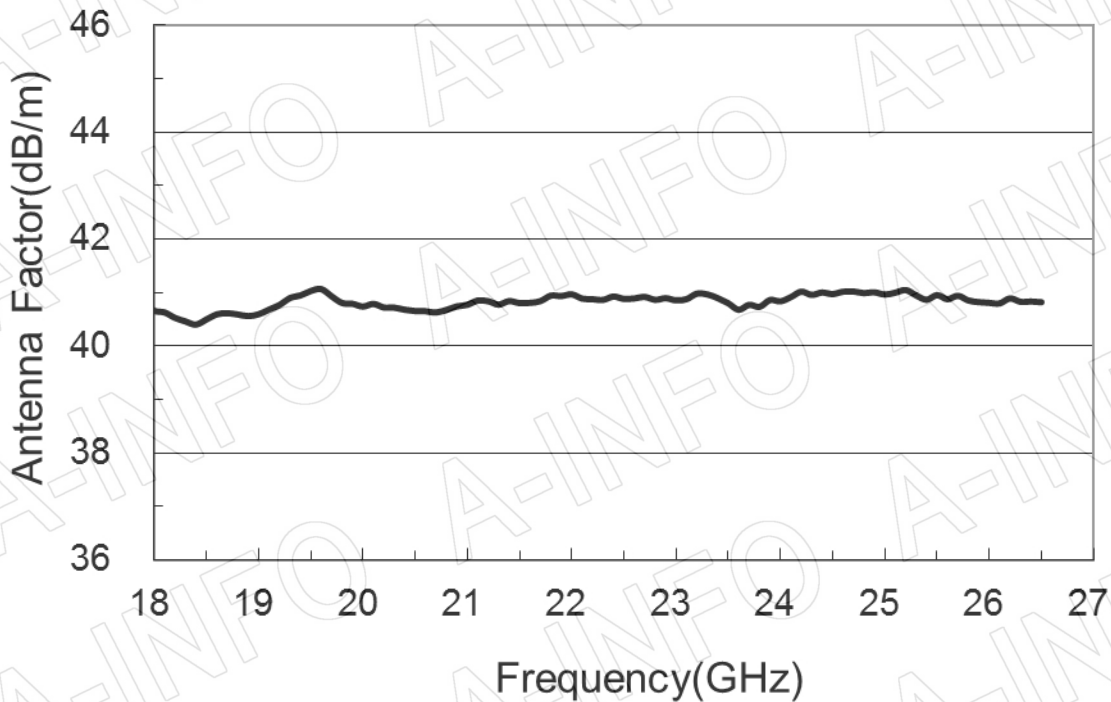
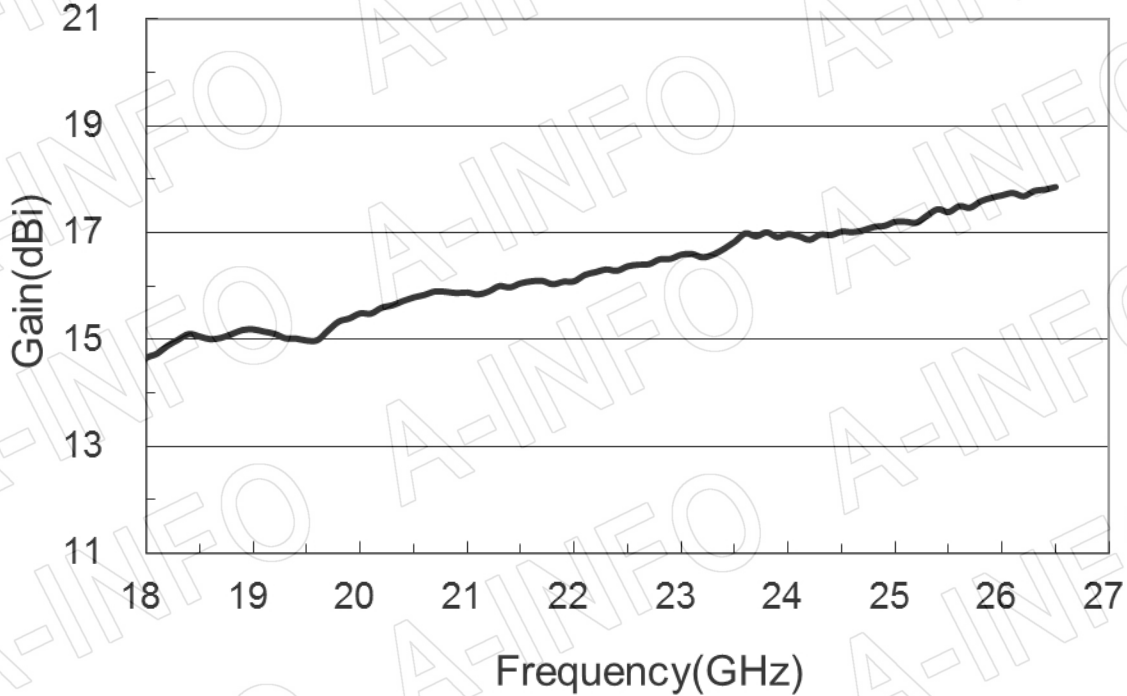
Flange Drawing (Size: mm)



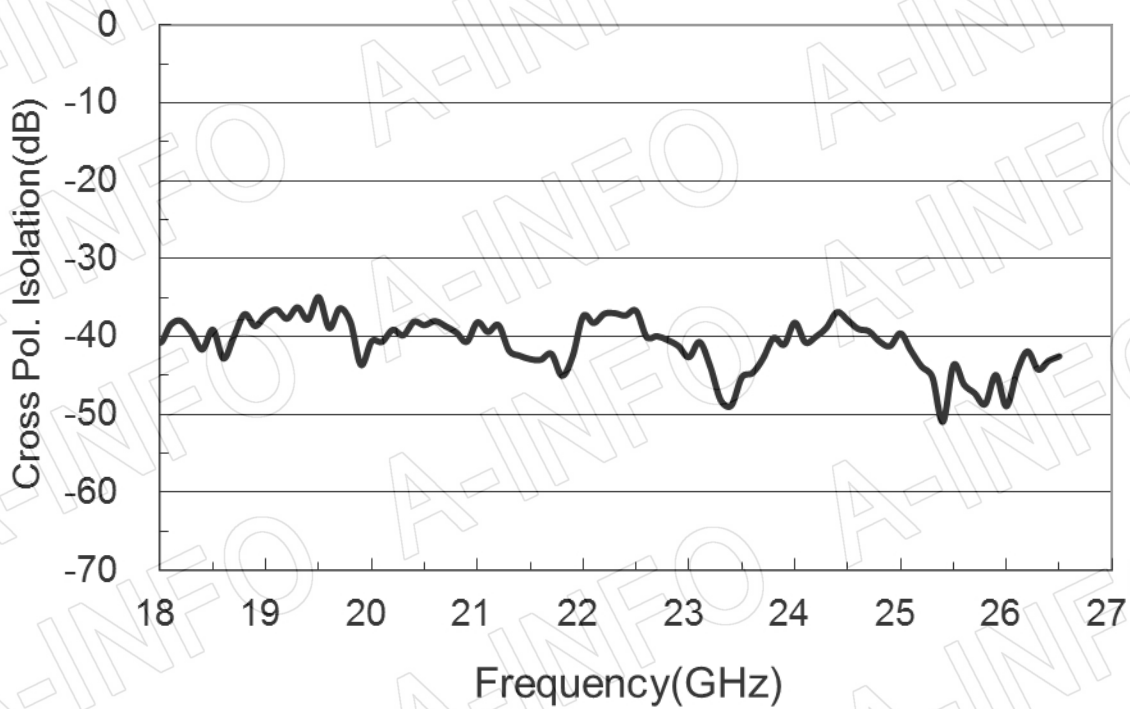
FBP220

Test Results

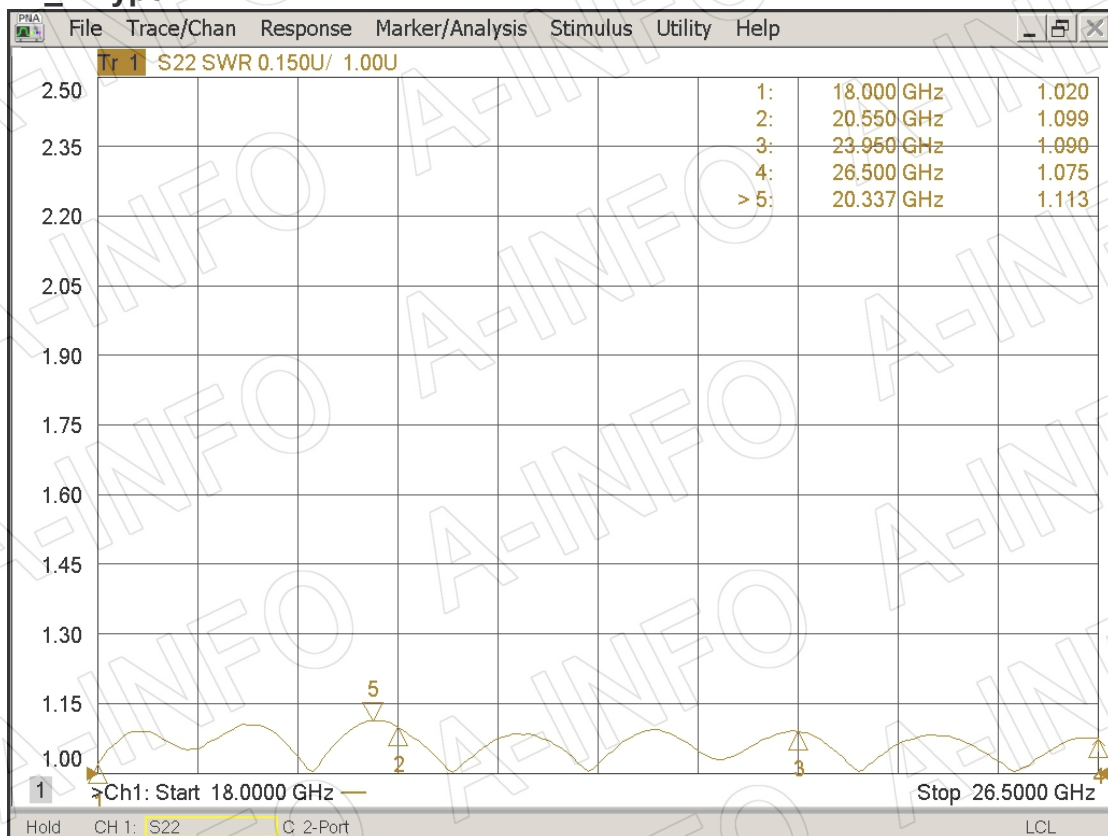
1. Gain & Antenna Factor



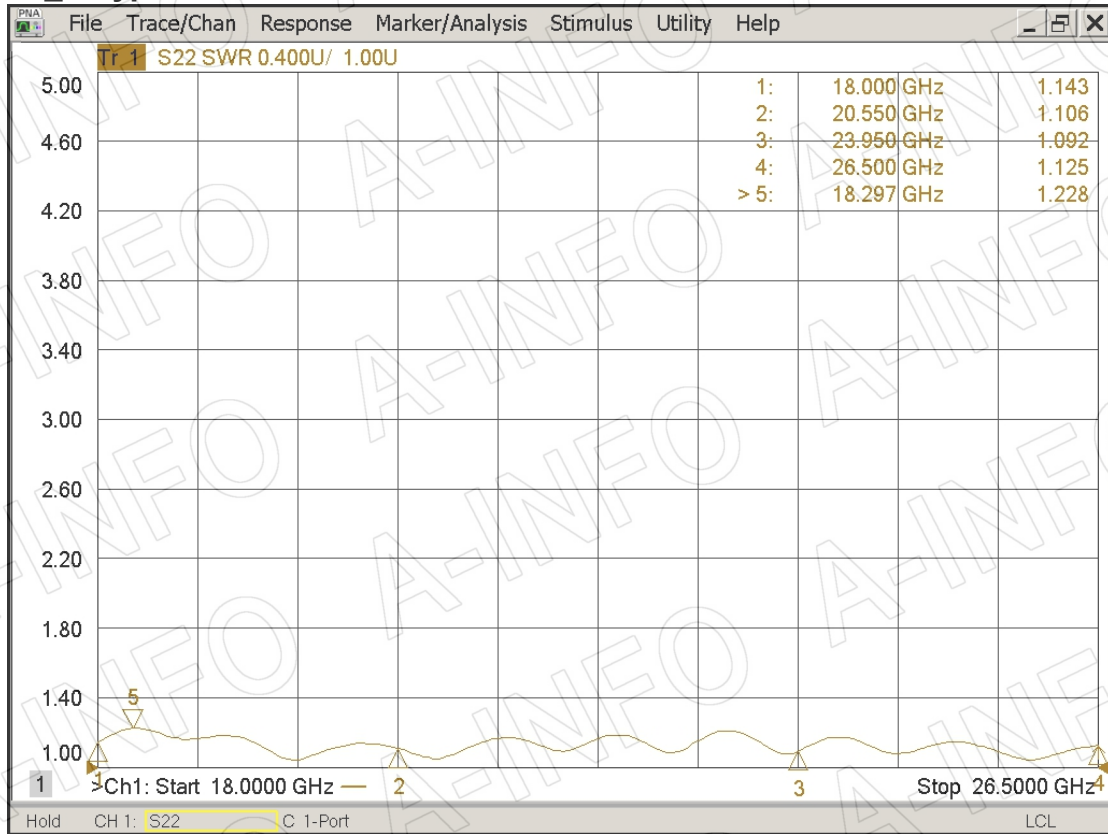
2. Cross Polarization Isolation



3. VSWR_A Type



VSWR_C Type



4. Pattern

